

Vernis Blend

Single lever bath mixer for exposed installation

Surfaces: **Matt Black** Article Number: **71440670**



Description

product features

- 2 functions
- projection 171 mm
- connection type: s-shaped connections
- centre distance: 150 ± 12 mm
- spray type mixer: normal spray
- maximum flow rate at 3 bar: 22,5 l/min
- flow rate for bath spout at 3 bar: 22,5 l/min
- flow rate of hand shower at 3 bar: 15,7 l/min
- min. operating pressure: 1 bar
- max. operating pressure: 10 bar
- ceramic cartridge
- temperature limitation adjustable
- diverter with automatic resetting
- with silencer
- suitable for continuous flow water heaters
- connection dimension: DN15

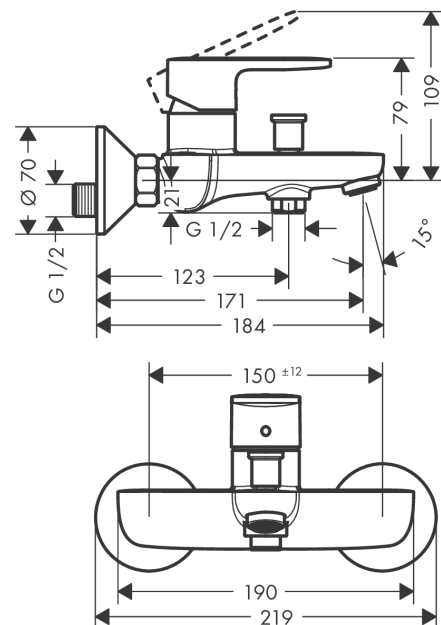
Technology



Product image



Scale drawing



Vernis Blend

Single lever bath mixer for exposed installation

Surfaces: **Matt Black** Article Number: **71440670**



Flowchart

